



# SJ45 T+

## TELESCOPIC BOOMS

### STANDARD FEATURES

- EASYDRIVE™ Direction sensing drive and steer controls
- AXLDRIIVE™ Axle-based 4WD system
- Operator controlled locking rear differential and limited slip front differential
- Oscillating steer axle
- Drivable at full height
- 45% Gradeability
- Wet disc SAHR brakes (front and rear axle)
- 12 x 16.5 Grip lug foam-filled tyres
- Dual module SKYCODED™ control system
- Standard Skyjack colour coded and numbered wiring
- SMARTORQUE™ Stage V diesel engine
- Swing out engine tray
- Swing up cowlings for easy access
- Proportional controls
- 272 / 454 kg Dual capacity
- 0.91 x 1.83 m Platform
- Bolt-in platform railings
- Lanyard attachment points
- Tri-entry sliding mid-rail
- Secondary Guarding Electrical (SGE)
- Overload sensing system
- Wiring for AC outlet on platform
- Tilt alarm (5.0° x 5.0°) with drive and lift cut-out
- Single point emergency lowering
- 360° Continuous turret rotation
- Tie down/lifting lugs
- Hourmeter
- Operator horn
- Lockable power disconnect switch

### OPTIONS

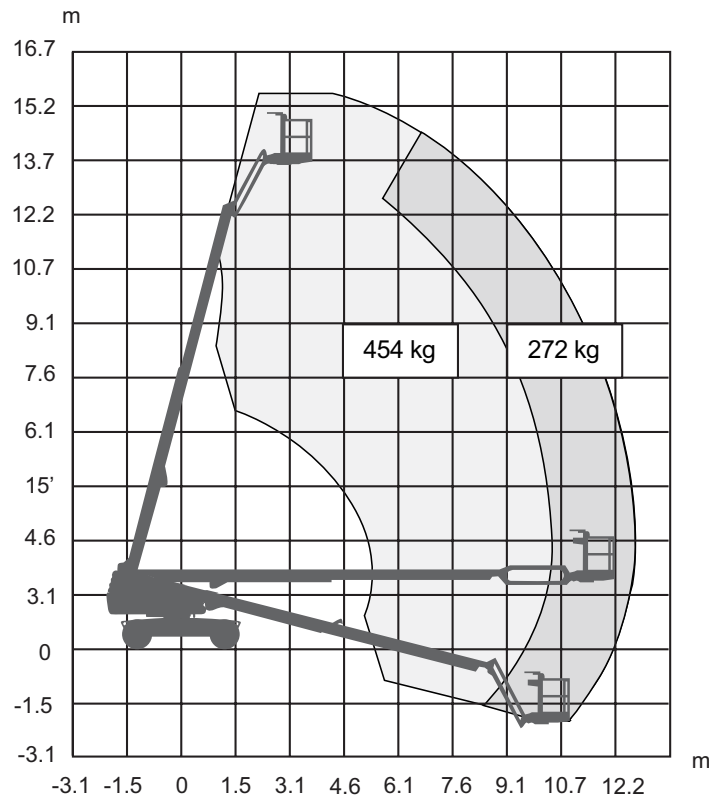
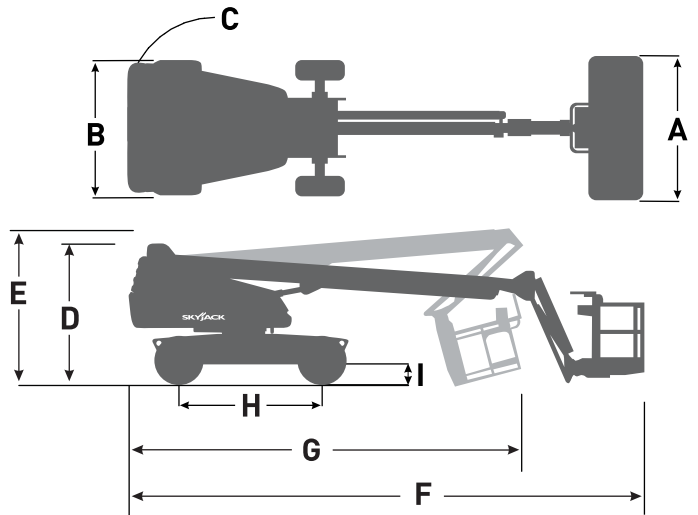
- Glazier kit
- Pipe rack
- Tool caddy
- Flashing light
- All motion audible alarm
- 0.91 x 2.44 m Platform
- Rear spring hinged entry gate
- Auxiliary top rail (0.91 x 2.44 m Platform only)
- 3.5 kW generator (Includes hydraulic oil cooler)
- Deutz D2011L03i diesel engine (export only)
- Diesel scrubber
- Hydraulic oil cooler
- Bio oil
- Control box cover
- Grip lug foam-filled non-marking tyres
- ELEVATE telematics

† Standard lead times may be increased when optional equipment is added, consult factory.  
 ‡ Capacities and machine weights may differ when options are added.

# SJ45 T+ TELESCOPIC BOOMS

Dimensions	SJ45 T+
Work Height	15.75 m
Platform Height	13.75 m
Horizontal Reach	12.12 m
Working Reach	12.77 m
<b>A</b> Platform Size	0.91 x 1.83 m
<b>B</b> Stowed Width	2.29 m
<b>C</b> Tailswing	1.12 m
<b>D</b> Stowed Height	2.40 m
<b>E</b> Transportation Height	2.92 m
<b>F</b> Stowed Length	8.83 m
<b>G</b> Transportation Length	6.99 m
<b>H</b> Wheelbase	2.44 m
<b>I</b> Ground Clearance	0.27 m

Specifications	SJ45 T+
Rotation	360° Continuous
Platform Rotation	170°
Jib Length	1.52 m
Jib Range +/-	+65° / -60°
Weight	7,160 kg
Gradeability	45%
Turning Radius (Inside)	2.24 m
Turning Radius (Outside)	5.18 m
Axle Oscillation	12.70 cm
Drive Speed (High speed)	4.0 km/h
Capacity	272 / 454 kg
Local Floor Load (With Rated Load)	11.88 kg/sq cm
Overall Floor Load (With Rated Load)	1,011 kg/sq m
Maximum # of persons up to 12.5 m/s wind rating	2 / 3
Tyre Type	Foam-Filled
Tyre Size	12 x 16.5
Diesel Engine	Deutz D2.2 L- 24.8 HP (18.5 KW)
Fuel Tank Capacity	170 L
Hydraulic Reservoir	223 L



**SJ45 T+ WORKING ENVELOPE**

[www.skyjack.com](http://www.skyjack.com)

Skyjack UK  
Unit 1, Maes-y-Clawdd  
Maesbury Road Industrial Estate  
Oswestry, Shropshire, SY10 8NN  
Tel: +44 1691 676235  
Tel: +44 1691 676239  
Email: info@skyjackeurope.co.uk

Skyjack SAS (France)  
74 Rue Sibert  
F-42400 Saint Chamond  
France  
Tel: +33 (0) 4 78 73 53 32  
Tel: +33 (0) 4 78 73 05 68  
Fax: +33 (0) 4 78 56 52 42

Skyjack Hebebühnen GmbH  
(Germany)  
Därmanbusch 2a  
D-58456 Witten  
Tel: +49 (0) 2302 20 26 909  
Tel: +49 (0) 2302 20 25 671

Skyjack AB (Sweden)  
Agnesbergsvägen 28  
424 38 Agnesberg  
Sweden  
Tel: +46 (0) 31 21 22 45  
Tel: +46 (0) 31 787 65 10

**SKYJACK**  
simply reliable